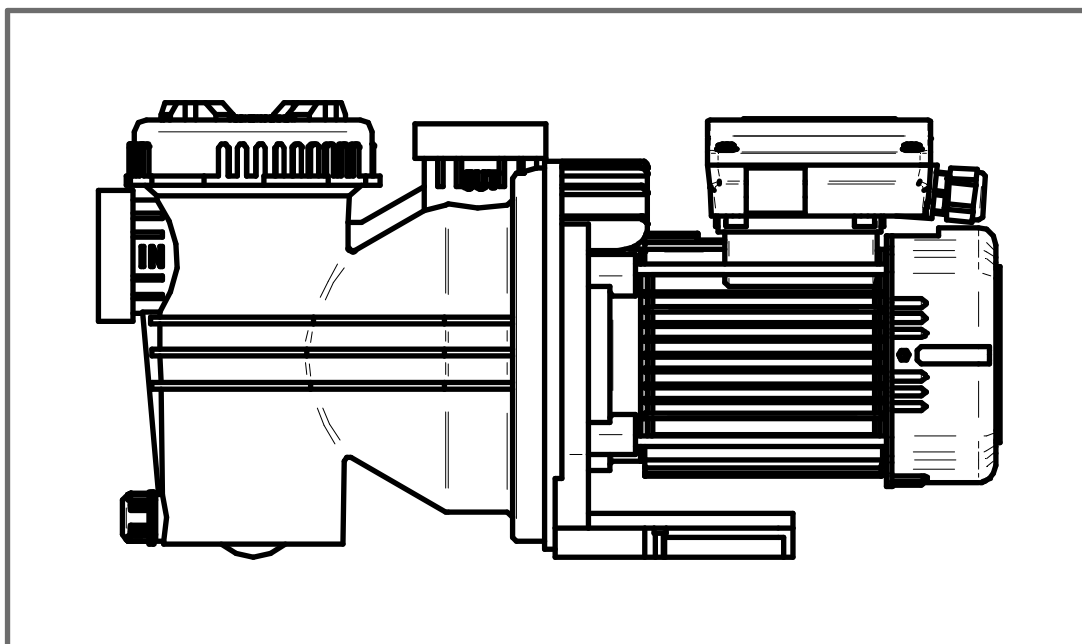


WP7000

WP8000



CUSTOMER MANUAL (EN)

INSTALLATION MANUAL (EN)

EN

1	Content organisation and consultation methods.....	4
1.1	Symbols.	4
1.2	Notes on graphics.	4
1.3	Glossary.....	4
2	General warnings and user information.....	4
2.1	Warranty.....	4
2.1.1	General aspects.....	4
2.1.2	Special conditions.....	5
2.1.3	Restrictions.....	5
2.2	Returns.....	5
2.3	General and safety warnings.....	5
2.3.1	General warnings.....	5
2.3.2	Safety warnings.....	6
2.4	Contacts and useful addresses.....	6
3	Product presentation.....	7
3.1	Product scope.....	7
3.2	Composition.....	7
4	Technical specifications and features.....	7
5	Installation.....	8
5.1	Necessary tools.....	8
5.2	Storage features and conditions.....	8
5.3	Transport.....	8
5.4	Handling.....	8
5.5	Positioning.....	8
5.6	Connections and start-up.....	10
5.6.1	Hose connection.....	11
5.6.2	Priming.....	11
5.7	Reinstallation and reuse.....	12
5.8	Demolition and disposal.....	12
5.8.1	Electric/electronic waste disposal.....	12
6	Operations and use.....	12
6.1	Operating description.....	12
6.2	Application range.....	12
6.3	Use.....	12
6.4	Operating limits and environmental limits.....	13
6.5	Safety devices and signalling.....	13
6.6	Hazards and risks.....	13
7	User instructions.....	13
7.1	Description of the control/command devices.....	13
7.1.1	<i>Power plug with residual current device (RCD, when included)</i>	13
7.1.2	<i>Checking residual current device operations</i>	13
8	Routine, scheduled and extraordinary maintenance.....	14
8.1	Routine maintenance.....	14
8.2	Extraordinary maintenance.....	14
9	Troubleshooting.....	14
10	Retail and spare parts and relevant documentation.....	16

1 Content organisation and consultation methods.

1.1 Symbols.

⚠ Indicates hazardous situations and warnings. Carefully read the parts of the user manual marked with this symbol.

⚡ Indicates that work must not be performed on live electrical devices. This work may only begin after all suitable safety measures required by current international and/or national regulations are taken.

1.2 Notes on graphics.

Used the following printing types:

- *glossary of terms: italic;*
- the words "product", "customer manual" and "installation manual" highlighted.

1.3 Glossary.

1. Customer manual: document intended for the end user that illustrates how to use the product.
2. Power cord: flexible cord, for power supply, attached to the device.
3. Pump: electromechanical device used to move air.
4. Inlet: product input (IN).
5. Outlet: the product's exit (OUT).
6. Flowrate: the amount of fluid (water) that crosses a section in a unit of time.
7. Head: this is the maximum distance that a pump can lift water for.
8. Flooded: if the pump is positioned at a level below the water level to be sucked.
9. Bearing: this is a mechanical device used to reduce attrition between two rotating objects.
10. Rotor: it indicates all the rotating components of the pump.
11. Impeller: The front part of the rotor, made up of a plastic disc with small blades. With its rotation, it transmits to the water the necessary mechanical energy to move water from the inlet to the outlet area.
12. Mechanical seal: a mechanical device is liable to isolating the two environments, among which there is a shaft with a circular motion.
13. Dry operation: means the product's operation without water.
14. Thermal protector: the device that cuts off power to the product if the product overheats.
15. Protection device: device whose operations prevent hazardous situations in abnormal operating conditions.
16. Contact switch disconnection: disconnection of both power conductors with a single contact opening action.
17. Residual Current Device: (RCD) also called fuse, it is an electro-technical device able to cut off the circuit in the event of fault.
18. Hydraulic parts: components used to create the system where the product is used (pipes, valves, couplings, hose connections, etc.).
19. Pool: artificial tank filled with water general intended for swimming or other aquatic activities.
20. Filter: a device where the water flowing in order to retain and/or eliminate the solid particles suspended.
21. Power plug: mechanical connector that can be inserted in a complementary electrical socket (power outlet).
22. Maximum working pressure: maximum pressure the product is able to sustain during operations.
23. Tool: screwdriver, coin or any other object that can be used to move a screw or similar fastening device.
24. Necessary clearance: minimum product installation area.

2 General warnings and user information.

2.1 Warranty.

2.1.1 General aspects.

i. In accordance with these provisions, the dealer guarantees that the product covered by this warranty ("the product") does not have any compliancy defect upon delivery.

ii. The product is guaranteed for two (2) years from the date of delivery to the purchaser.

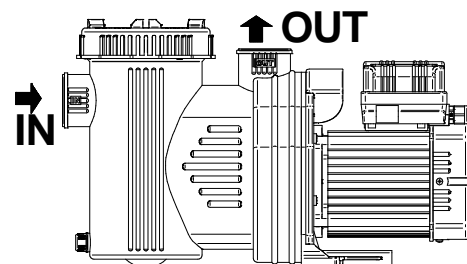


Fig. 1

- iii. If a product compliance defect is found and the purchaser informs the dealer during the warranty period, the dealer must repair or replace the product at his own expense and where he deems most suitable, unless impossible or incommensurate.
- iv. Should the product be irreparable or irreplaceable, the purchaser may request a proportionate price discount or, if the compliance defect is sufficiently significant, the termination of the sales contract.
- v. Parts replaced or repaired under this warranty do not extend the original product warranty period but are covered by their own guarantee.
- vi. Proof of product purchase is required for warranty validity.
- vii. After six months from product delivery to the purchaser and compliance defects are found, the purchaser must prove the origin and existence of the defect.
- viii. This warranty certificate does not restrict or jeopardise consumer rights provided by mandatory national regulations.

2.1.2 Special conditions.

- i. This warranty covers the products referred to in this user manual.
- ii. This warranty certificate only applies within the European Union.
- iii. For warranty validity, the purchaser must strictly follow the manufacturer's instructions included in the documents that accompany the product, when applicable according to the product range and model.
- iv. Should a replacement, maintenance or cleaning schedule be specified for some product parts or components, the warranty is only considered valid if these schedules are correctly observed.

2.1.3 Restrictions.

- i. This warranty only applies to sales to consumers where "consumers" are the people who purchase the product for personal, and not professional, use.
- ii. The warranty does not cover normal product wear. As for replaceable or consumable parts, components and materials such as rotors, bearings, light bulbs, o-rings, gaskets, sponges, cartridges, etc., that provided in the documentation that accompanies the product shall be observed.
- iii. The warranty is null and void in the event the product:
 - a. is subject to incorrect treatment;
 - b. was repaired, maintained or tampered with by unauthorised personnel or
 - c. was repaired with non-original parts. Should the product compliance defect be consequent to incorrect installation or start-up procedures, this warranty only applies when this installation or start-up procedure is included in the product sales contract and performed by the dealer or his authorised personnel.

2.2 Returns.

In the event of defects, faults and malfunctions, the product must be returned to the dealer with the completed claim report, where applicable.

2.3 General and safety warnings.

2.3.1 General warnings.

SHOTT International srl continuously strives to improve its products. We trust the user will understand the technical modifications **SHOTT International srl** reserves the right.

SHOTT International srl is not liable for any damages due to improper product use.

Carefully read and keep the user manual.

In order to increase energy savings, only use the product when necessary.

⚠ Upon product receipt and/or purchase, check packaging integrity. The product must be accompanied by the user manual. The user manual must be complete.

⚠ In the event of malfunctions, consult the user manual and, if necessary, contact specialised technicians. Failure to observe the instructions in this user manual immediately null and voids the warranty.

⚠ Respect current regulations regarding accident prevention.

Due to the complex nature of the cases treated, the installation, user and maintenance instructions contained in this customer manual do not seek to examine all possible and imaginable cases of service and maintenance. Should you require additional instruction or have specific problems, please do not hesitate to contact the distributor or the product manufacturer directly.

2.3.2 Safety warnings.

⚠ This product can be used by children aged from 8 years and above and person with reduced physical, sensory or mental capabilities or lack of experience and knowledge if they have been given supervision or instruction concerning use of the product in a safe way and understand the hazards involved. Children shall not play with the product. Cleaning and user maintenance shall not be made by children without supervision.

⚡ The product must never be operated in the *swimming pool* when people are present.

⚡ Do not submerge the product in water.

⚡ Be sure to disconnect the *power plug* from the *power outlet* before operating on the product.

⚠ Attention to the moving parts.

⚠ Attention to the *inlet/outlet* points because they can trap parts of the body and/or hair and cause serious personal injuries and even death.

⚠ It is compulsory to check that the inlet ends are not blocked.

⚠ *Pumps, filters, and other equipment/components of a pool filtration system* can operate under pressure. If not correctly installed they can cause serious personal injuries and even death.

⚠ Packaging materials are not children's toys. Films can be hazardous and cause suffocation.

⚠ Do not use the *pool* if the product (*filter/pump*) cannot be used.

⚡ If the power cord is damaged, it must be replaced by the manufacturer or its technical service centre or by personnel with similar qualifications, to prevent any risks (specialised technicians).

2.4 Contacts and useful addresses.

Information at:

- Shott International srl +39 049 9401150.
- www.shott.it.

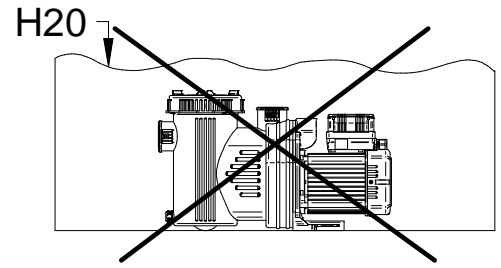


Fig. 2

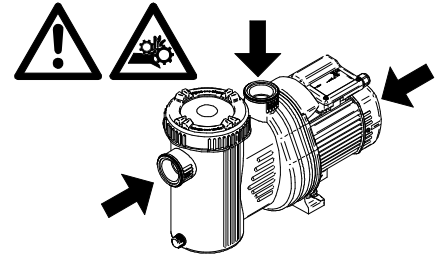


Fig. 3



Fig. 4

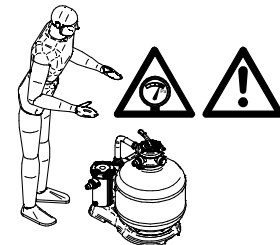


Fig. 5

3 Product presentation.

3.1 Product scope.

The product you purchased is a centrifugal pool pump designed to pump fresh and salt water.

3.2 Composition.

1. Hosetail
2. O-ring
3. Draining tap
4. Frame
5. Cover
6. Lock nut
7. Prefilter
8. Impeller
9. Rubber
10. Flange
11. Fan
12. Carter
13. Power cord
14. Capacitor
15. Cover

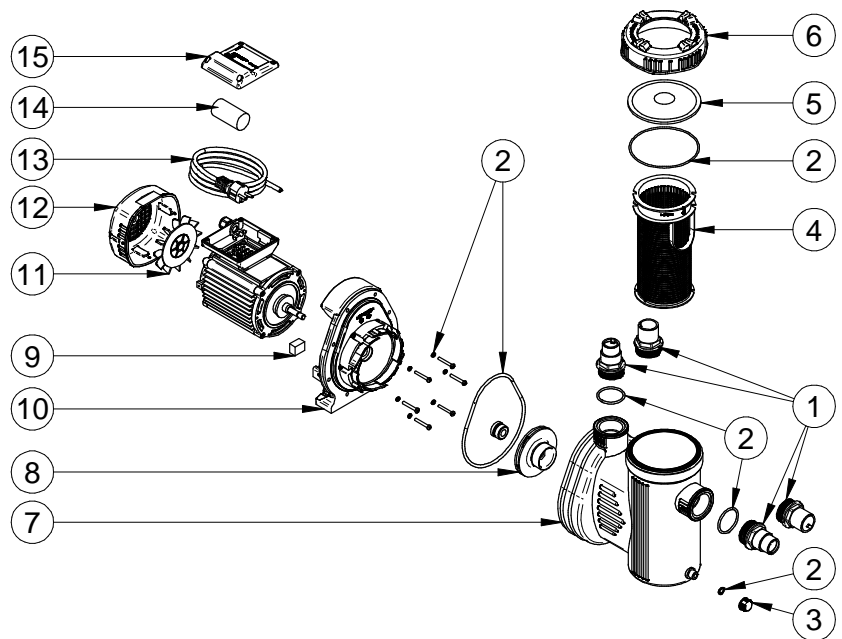


Fig. 6

4 Technical specifications and features.

⚠ The *hydraulic parts* used for the building of the system which shall include the product modify the performance (*head* and *flowrate*) of the product.

	WP7000	WP8000
Power [kW]/[hp]	0.450/0.603	0.500/0.623
Standard voltage	220-240[V]~50[Hz]	
Protection grade at water input	IPX5	
Inlet [mm]	Ø 32 – Ø 38	
Outlet [mm]	Ø 32 – Ø 38	
Max flowrate [m ³ /h]/[gpm]	9.3/2044	12.0/2640
Max head [m]/[ft]	11.50/37.6	12.00/36.6
Max water temperature	35 [°C] 95 [°F]	
Minimum water temperature	4 [°C] 39 [°F]	

Tab. 1

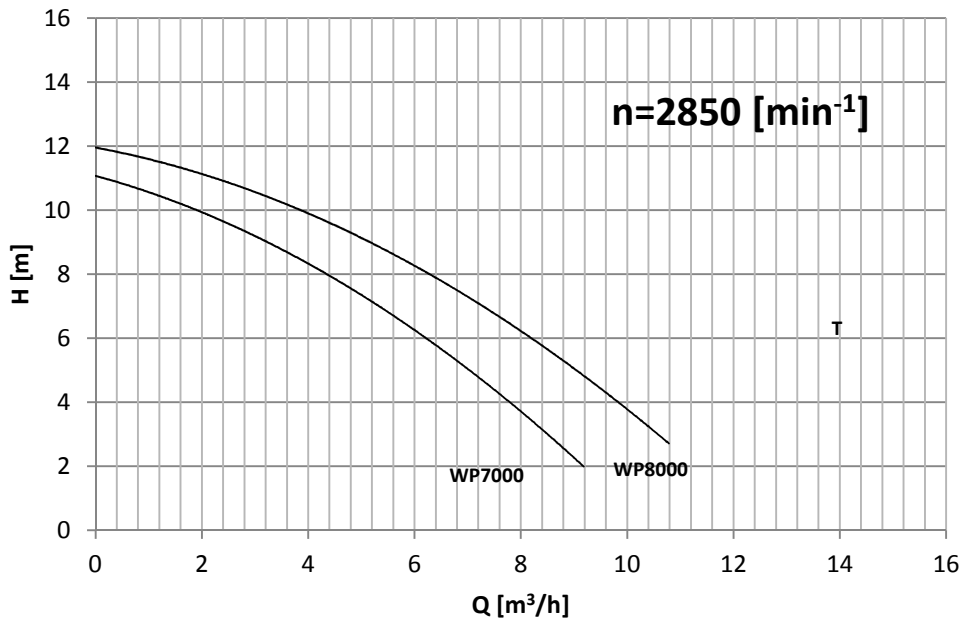


Fig. 7

5 Installation.

5.1 Necessary tools.

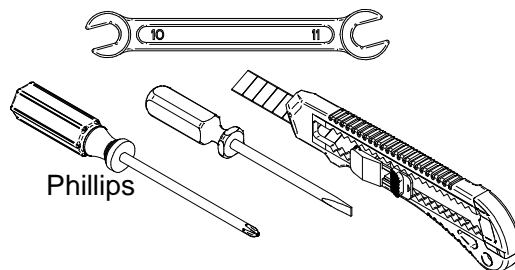


Fig. 8

5.2 Storage features and conditions.

Store the product in a dry place and keep away from the elements.

Storage temperature: -10 [°C] (+14 [°F]) to +60 [°C] (+140 [°F]).

5.3 Transport.

⚠ Handle the product with care to avoid damages.

⚠ The product is delivered suitably protected against transport damages. However, handle with care to avoid damages.

5.4 Handling.

⚠ Handle the product with care to avoid damages.

5.5 Positioning.

The product must be positioned *under head*.



Fig. 9

The product must be placed in an area not subject to flooding.

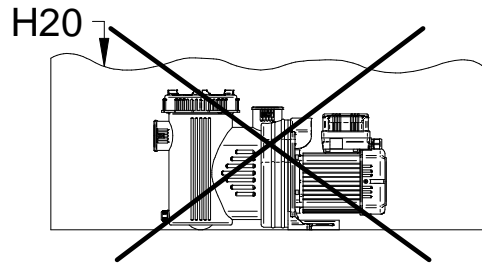


Fig. 10

The product cannot be used on the water surface.

⚡ The product must always be located at least 3.5 [m] from the edge of the *swimming pool* from which water is drawn.

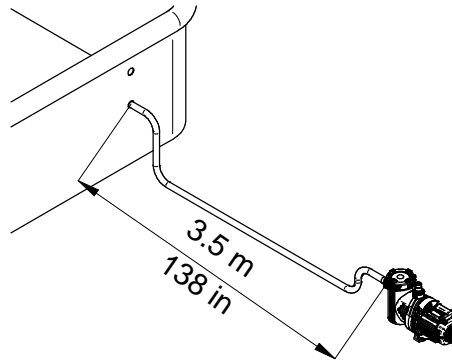


Fig. 11

Considering the following aspects is recommended:

- Dimensions and position of *hydraulic components*.
- Necessary clearance.

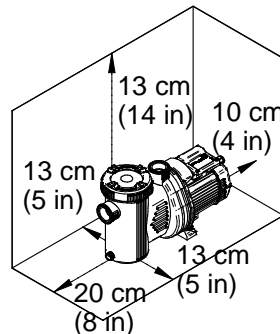


Fig. 12

- Power cord position.
- Location of the power supply (*electrical socket*, at least 3,5 [m] from the edge of the *pool*).

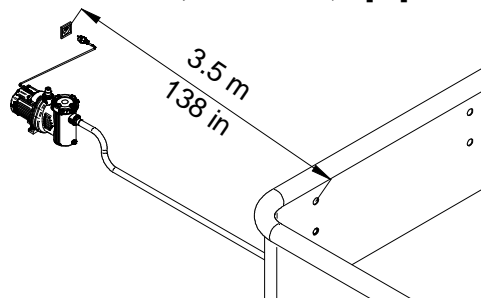


Fig. 13

- Support and its location.

If the product is used with a filter, the latter must be downstream from the product.

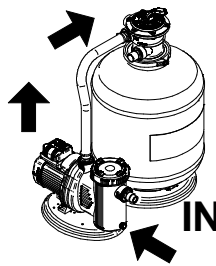


Fig. 14

If the product is placed outside it is advisable to put a simple cover to protect it from rain.

Make sure the product is positioned in a place where noise generated during normal operations does not create disturbances.

The product must run in a horizontal position. Make sure its position is not altered once it is correctly placed.

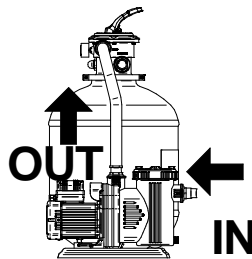


Fig. 15

The product must be fixed on a firm base, with screws of 6 [mm] diameter, through the prepared holes in the foot.

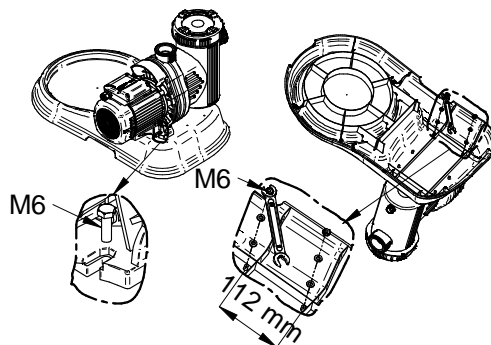


Fig. 16

The product must be positioned in a shady and aerated place.

5.6 Connections and start-up.

⚠ The electrical system must meet current international and/or national regulations.

⚠ The product must be connected to an *power outlet* equipped with a *residual current device* with sensitivity over 30 [mA]. Before starting the product make sure this device is installed in your electrical system. Contact a technician if necessary.

⚡ Make sure the product complies with your electrical system.

⚡ The *power outlet* must be at a suitable distance from the water but easily accessible in order to be able to easily turn off the product in the event of fault (*electrical socket*, at least 3,5 [m] from the edge of the *pool*). Cutting the *power cord* and/or replacing the *power plug* is strictly prohibited.

⚡ The *power cord* must be positioned to avoid possible damages such as bends and/or cuts.



Fig. 17

⚠ The cover must be tightly screwed-in before connecting the product to the power mains.

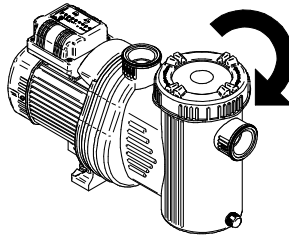


Fig. 18

5.6.1 Hose connection.

Proceed as follows:

1. Position the O-rings (Fig. , # A) on the rubber holder (Fig. , # B).
2. Screw the two rubber holders in (Fig.) on the *inlet* and *outlet* side of the *pump*.

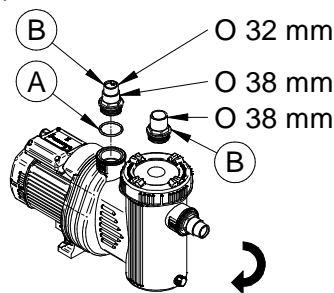


Fig. 19

3. Apply some turns of the supplied teflon around the rubber holders (Fig. 20, # C; *hydraulic parts*) to ensure the pipe is sealed (*hydraulic parts*) onto the rubber holder.
4. Connect the *inlet* pipe (*hydraulic part*) to the IN rubber holder (Fig. 0, # D) and the outlet pipe to the OUT rubber holder (Fig. 0, # E). Fix the pipes (*hydraulic part*) with clips (Fig. 0, # F).

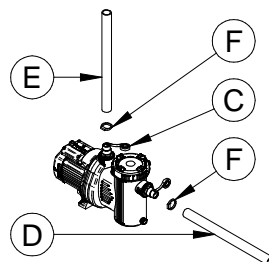


Fig. 20

Check the hydraulic pipe is as short as possible to minimize the decrease in flowrate. Avoid any deformation or occlusion in the hydraulic pipes because they might affect the product operation. Support the inlet and outlet pipes (*hydraulic parts*) of the product in order to minimize the load on it.

5.6.2 Priming.

Make sure all *hydraulic components* and the *pump* prefilter are full of water, turn on the product connecting the *electrical plug* to the *electrical socket*, the product will discharge residual air and start running at working regime.

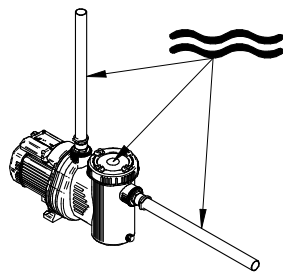


Fig. 21

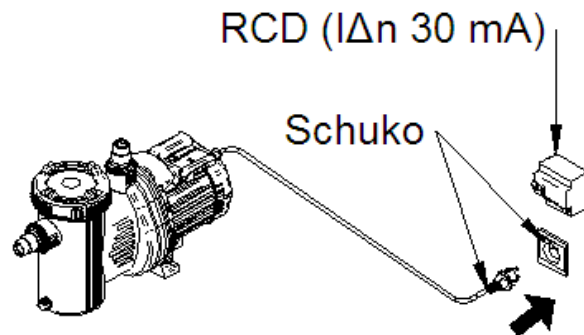


Fig. 22

5.7 Reinstallation and reuse.

- ⚠ Clean the product and the moving parts accurately before stopping the product for a while, such as, for instance, during the winter months.
- ⚠ Do not lubricate and/or use detergents and chemical cleaning products.
- ⚠ If there is the risk of freezing, the product must be carefully emptied from the liquids in its hydraulic circuit. It is advisable to empty all the *hydraulic parts*.

5.8 Demolition and disposal.

Collecting recyclable material, both those used for packaging (cardboard, nylon, etc.) and those replaced during maintenance is recommended. Suitable collection of waste material for recycling, processing and environmentally compatible disposal contributes in avoiding possible negative effects on the environment and health and promotes the reuse and/or recycling of product materials.

⚠ Illicit product disposal by the user may be punishable by current international and/or national laws.

5.8.1 Electric/electronic waste disposal.



EU directive 2012/19/EU classifies this product as an electrical or electronic tool. The barred bin symbol on the equipment or packaging indicates that the product must be separated from other waste at the end of its working life. Therefore, the user must take equipment to electronic and electro-technical waste collection centres at the end of its working life or return it to the dealer when purchasing similar new equipment, on a one to one basis. Suitable collection of decommissioned equipment for recycling, processing and environmentally compatible disposal contributes in avoiding possible negative effects on the environment and health and promote the reuse and/or recycling of device materials. Illicit product disposal by the user may be punishable by current national laws.

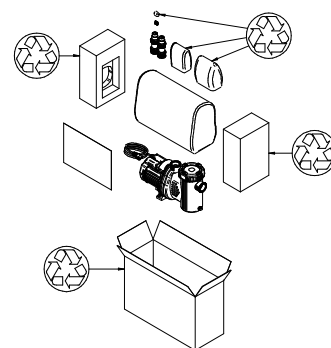


Fig. 23

6 Operations and use.

- ⚠ Do not use glue, sealant or other chemical products on threads or other product parts.
- ⚠ To disconnect the product from the power mains, remove the *power plug* from the *power outlet* without pulling on the power cord.

6.1 Operating description.

The product you purchase is designed to move water in swimming *pool*. The *rotor* turns and transfers water from the *inlet* to the *outlet*.

6.2 Application range.

⚠ The product cannot be used to purify water for human consumption.

This powerful and reliable product can be used in swimming *pool*, together with a *filter*, for water treatment.

6.3 Use.

- ⚠ Cutting and/or altering the power cord is strictly prohibited.
 - ⚠ The product cannot be used to purify water for human consumption.
 - ⚠ The product cannot be used to purify liquids other than fresh water.
- The product cannot be used for medical/therapeutic purposes,
- ⚠ *Dry operations* are prohibited.

6.4 Operating limits and environmental limits.

- Maximum water temperature: +35 [°C].
- Minimum water temperature: +4 [°C].

6.5 Safety devices and signalling.

⚠ The product is equipped with a *thermal protector*. Following any *thermal protector* operation, check the causes that originated the product's malfunction. For this purpose, please consult the "Troubleshooting" section.

The product shall go back to normal operating conditions after it has cooled down (about 2÷3 hours) and/or the caused that triggered the *thermal protector* have been eliminated.

6.6 Hazards and risks.

⚠ Attention to the *inlet/outlet* points because they can trap parts of the body and/or hair and cause serious personal injuries and even death.

⚠ *Pumps, filters, and other equipment/components* of a *pool filtration system* can operate under pressure. If not correctly installed they can cause serious personal injuries and even death.

The product is powered electrically, so maximum diligence in its installation and maintenance is required, in order to avoid danger. Please pay particular attention to:

- the conditions of its power cord, which must not be damaged;
- do not use the product without its pre-filter basket (Fig. ?, # ?), otherwise the product may jam or be irreparably damaged;
- when using any type of stop valve make sure the line is completely open as the product must never run with valves closed.

7 User instructions.

7.1 Description of the control/command devices.

7.1.1 Power plug with residual current device (RCD, when included).

⚠ Before turning on the product, always press the RESET button. Check *power plug with residual current device* operations by pressing the TEST button (T).

⚡ Do not attempt to repair or open the *power plug with residual current device*; in the event of fault, replace the entire *power plug with residual current device* with the *power cord*.

The *power plug with residual current device* does not replace mandatory electrical safety components: the electrical system must meet current international and/or national regulations. If necessary, contact specialised technicians.

⚠ The *power plug with residual current device* is an additional electrical safety component able to cut off a circuit in the event of fault. In order for it to work, it must:

- always be in the vertical position,
- always be clean and free of dust or water,
- be connected to a perfectly efficient ground line,
- check *residual current device* operations before turning on the product.

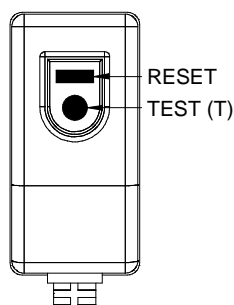


Fig. 27

7.1.2 Checking residual current device operations.

Plug the power plug with residual current device into the power outlet:

1. press the RESET button to allow the product to be turned on: the light turns red.
2. press the TEST (T) button to test *residual current device* operations: the light turns off and the *residual current device* cuts off electrical power, therefore the product cannot be turned on unless the RESET button is pressed again.

⚡ If the *residual current device* triggers (turns off the product) during product use, unplug the *power plug with residual current device* from the *power outlet*

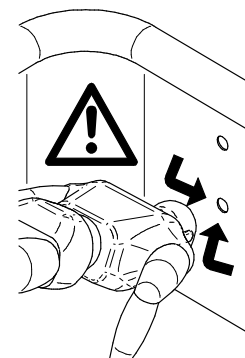


Fig. 24

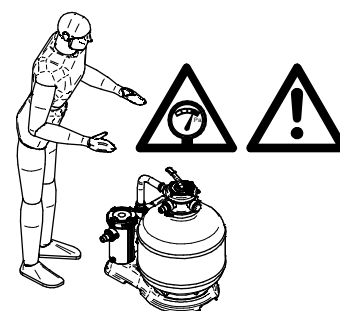


Fig. 25

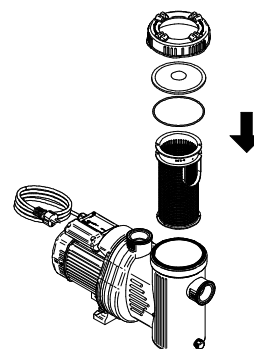


Fig. 26

and do not use the product. Contact a specialised technician.

8 Routine, scheduled and extraordinary maintenance.

⚡ Before proceeding with any maintenance activity, remember to disconnect the *power plug* from the *power outlet*, and not to put your hands in the water if the product is turned on.

⚠ Do not lubricate and/or use detergents and/or chemical products to clean the product.

⚠ All extraordinary maintenance (replacement of supply cord, etc.) must be carried out by specialised technicians.

Replace any damaged and/or worn components as quickly as possible; use only original spare parts. For this purpose, please consult the “Retail and spare parts and relevant documentation”.

For regular control:

- Check that the mechanical parts are tightly secured and check the condition of the screws supporting the product.
- Check that the power cord and isolating parts are in their correct position, are secure and in a good state of repair.
- Check the temperature of the product and the electric motor. In the event of a fault, stop the product immediately and contact specialised technicians.
- Check for product vibrations. In the event of a fault, stop the machine immediately and contact specialised technicians.

8.1 Routine maintenance.

To be performed at least once a year, or more frequently if necessary.

Product components that, due to their normal use, suffer wear and/or tear must be regularly replaced to ensure good product performance. The following table shows the perishables and/or consumables used in the product and their estimated working life.

O rings and general seals	1 year
<i>Mechanical seal</i>	1 year
<i>Bearing</i>	1 year

8.2 Extraordinary maintenance.

⚠ Extraordinary product maintenance must be performed by a specialised technicians.

This consists in replacing worn or damaged parts (power cord, *bearing*, *rotor*, *impeller*, etc.).

9 Troubleshooting.

PROBLEM	CAUSE	1 ST SOLUTION	2 ND SOLUTION
1. The <u>product</u> does not work.	No or insufficient power supply.	Check the power supply.	Contact specialised technicians.
2. The <u>product</u> does not work.	The <i>power plug</i> is not correctly inserted in the <i>power outlet</i> .	Firmly insert the <i>power plug</i> in the <i>power outlet</i> .	Contact specialised technicians.
3. The <u>product</u> does not work.	<i>Hydraulic components</i> clogged or bent.	Clean and adjust <i>hydraulic components</i> .	Contact specialised technicians.
4. The <u>product</u> does not work.	The <i>thermal protector</i> has been triggered.	Wait until the <u>product</u> (<i>blower</i>) cools.	Contact specialised technicians.
5. Power cord damaged.	Wear and/or negligence.	Contact specialised technicians.	-
6. Plastic components damaged.	Wear.	Replace.	Contact specialised technicians.
7. Low <i>flowrate</i> from <i>outlet</i>	The <u>product</u> is dirty	Clean the <u>product</u> .	Contact specialised technicians.
8. Low <i>flowrate</i> from <i>outlet</i>	<i>Hydraulic components</i> clogged or bent.	Clean and adjust <i>hydraulic components</i> .	Contact specialised technicians.

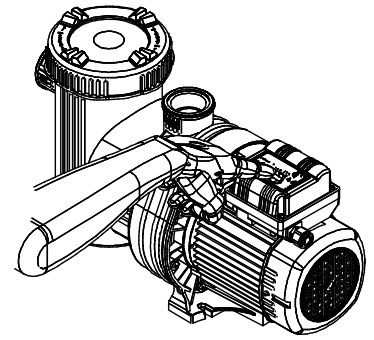


Fig. 28

PROBLEM	CAUSE	1 ST SOLUTION	2 ND SOLUTION
9. Low <i>flowrate</i> from <i>outlet</i>	The <i>impeller's</i> blades are worn out.	Replace the <i>impeller</i> .	Contact specialised technicians.
10. Low <i>flowrate</i> from <i>outlet</i>	The <i>pump</i> has not been primed correctly.	Prime the <i>pump</i> .	Contact specialised technicians.
11. The <u>product</u> does not work.	The <i>thermal protector</i> has been triggered.	Check that the water temperature does not exceed +35 [°C] and, if necessary, add cold water to the <i>pool</i> to lower water temperature.	Contact specialised technicians.
12. The <u>product</u> does not work.	The <i>thermal protector</i> has been triggered.	Blocked drive shaft, follow the instructions in Blocked rotor.	Contact specialised technicians.
13. Water leak.	Gaskets or o-rings incorrectly installed	Check correct gasket and o-ring installation.	Contact specialised technicians.
14. Water leak.	Fast connections or cover not tight.	Tighten fast connections and cover.	Contact specialised technicians.
15. Loss of water from <i>mechanical seal</i> .	A <i>mechanical seal</i> is used to isolate the pump body and the motor body. Some drops of water may flow out once in a while this is normal, especially after periods of non use.	If the leaks are consistent Please contact specialised technicians..	-
16. Blocked rotor.	Foreign bodies block the rotating elements of the <u>product</u> (<i>impeller</i> or cooling fan).	Remove any foreign bodies.	Contact specialised technicians.
17. Blocked rotor.	Blocked drive shaft, it can happen after a long period of inactivity.	Do the following: 1. unplug the <u>product</u> from the <i>power outlet</i> ; 2. make the drive shaft turn 9-10 times, using a screwdriver as shown in Fig. ; 3. insert the <i>power plug</i> of the <u>product</u> into the <i>power outlet</i> .	Contact specialised technicians.

Tab. 2

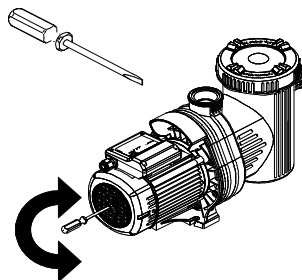


Fig. 29

10 Retail and spare parts and relevant documentation.

⚠ Replace any damaged and/or worn components as quickly as possible; use only original spare parts.

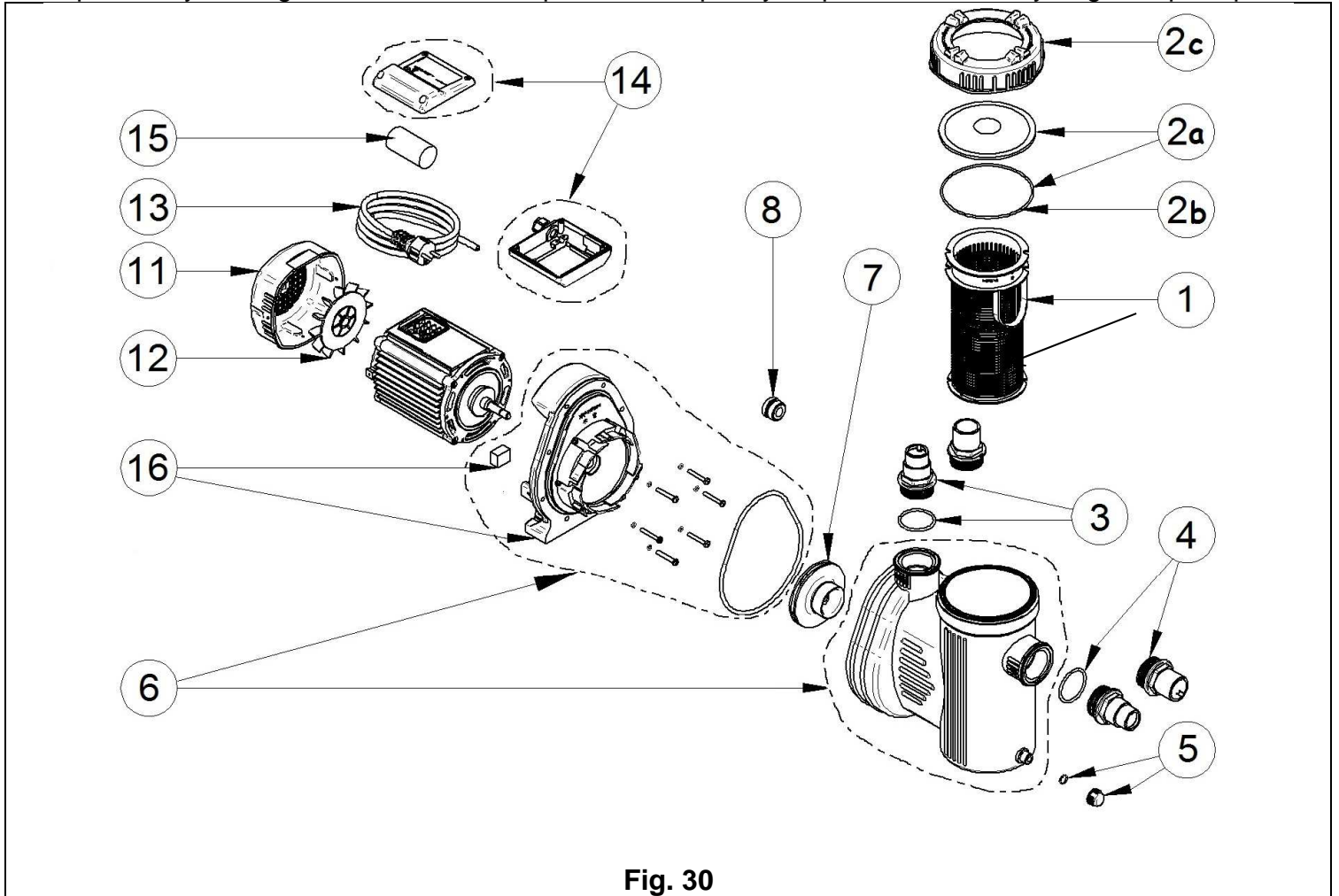


Fig. 30

#	WP7000	WP8000
1		XQ708I23
2a		XQ710I23
2b		XQ700I23
2c		XQ709I23
3		XQ711I10 (Ø 32/38[mm])
4		XQ711I20 (Ø 38[mm])
5		XQ712I13
6		XQ713I23
7	XQ714I53	XQ714I63
8		XQ715I23
11		XQ718I23
12		XQ719I23
13		XQ720I10
14		XQ721I10
15		XQ722I13
16		XQ723I23

Tab. 3



SHOTT INTERNATIONAL S.R.L.
VIA DELLE PEZZE, 35
35013 CITTADILLA (PD) - ITALY
TEL. +39 049-9401150
FAX. +39 049-9409140
E-MAIL: info@shott.it
WEB: www.shott.it