

## Energy efficient reverse osmosis system



### Reliable and maintenance-friendly

The system series is an economical and simple solution for heating water and technical process water, where a low conductivity (< 20 µS/cm) is required. Use a water softener as pre-treatment.

The system is designed with an emphasis on simple and stable operation with easy to understand controls. The control ensures automatic disconnection if there is not enough water supply and ensures high quality and the protection of subsequent installations.

Membranes and pumps are selected with a focus on the latest technology, efficiency and quality. This ensures a reliable and efficient system.

The design is compact, maintenance-friendly and allows for easy installation in sparse spaces.

### Features:

- Simple reverse osmosis system
- The system's size makes it easy to position when space is limited
- Built-in control - no additional electronics required
- Direct reading of permeate flow during operation
- Manometer for reading the pressure
- The system will automatically stop if there is no supply pressure
- Alarm output
- Effective BWT-membrane technology, high-quality

### Benefits:

- Water quality with a conductivity of < 20 µS/cm
- All mounted on a stainless steel skid
- High performance per membrane
- Can have a conductivity meter fitted
- The combination with a mixed-bed system can provide an even lower conductivity (< 0.5 µS/cm)
- Installation kit for quick and easy connection
- Simple operation
- Favourable maintenance
- Space saving

The PERMAQ Pro 2000 series offers flexibility with many accessory options for application areas, where it requires minimal maintenance and reliable operation. Options include, among others, membrane cleaning systems, which prolong the service life of the membrane.

### The flexible design allows for expansion with:

- Time and quality flush - for better water quality and it protects the membranes
- Preparing for Clean-In-Place - used for the mobile CIP unit
- Clean-In-Place unit - effective cleaning of the membranes
- Antiscaling dosing - increases the utilisation of the raw water up to 80-85%
- Integrated mixing valve for adjusting the conductivity - the possibility to supply water quality according to special needs
- Frequency-control of high pressure pump - ensures reliable operation in areas with fluctuating water pressures and temperatures (only PERMAQ Pro 2030 - 2080)
- Flow meter for reading the concentrate outlet - simple monitoring of performance
- Conductivity meter with alarm function - giving the system the best possible protection
- Installation kit - quick and easy connection

### BWT HOH A/S

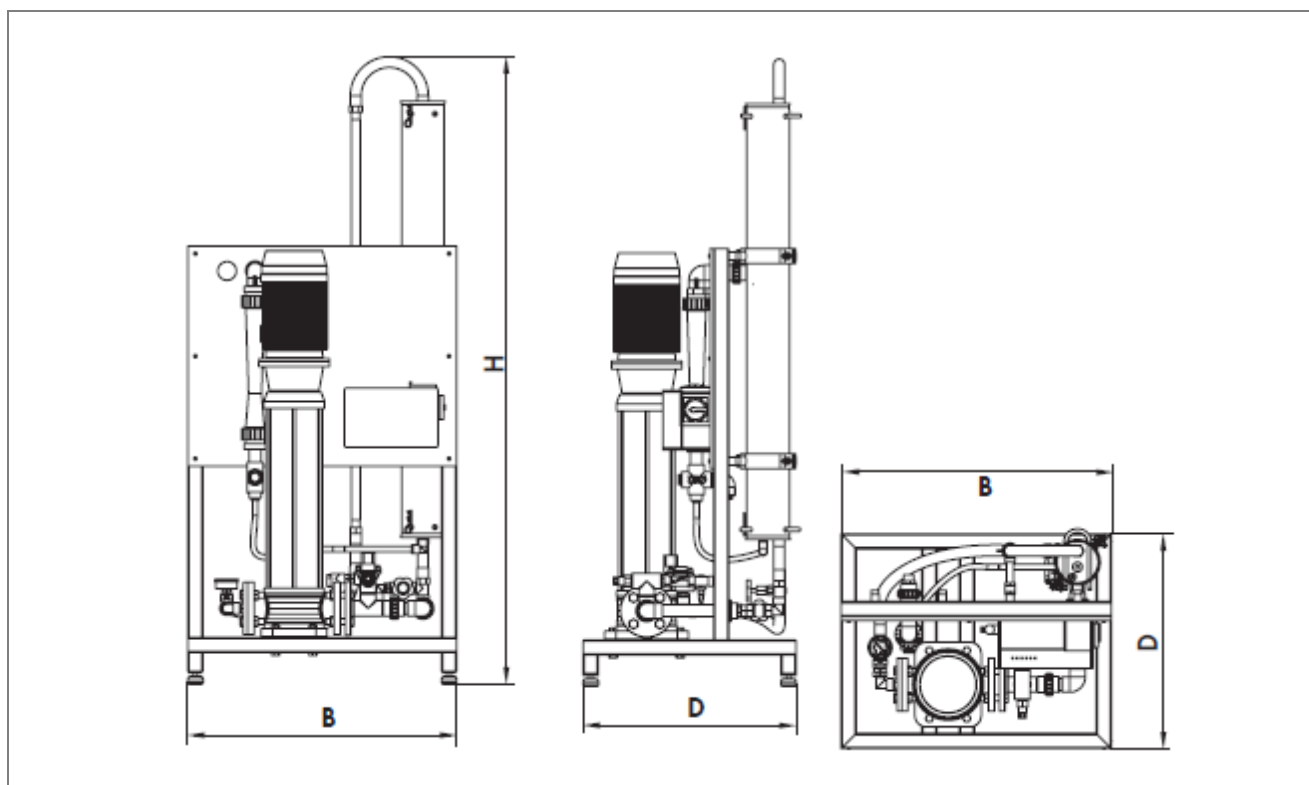
Geminivej 24 • DK-2670 Greve  
Tel.: +45 43 600 500  
bwt@bwt.dk • [www.bwt.dk](http://www.bwt.dk)

## Technical data:

BWT PERMAQ <sup>®</sup> Pro 2000	Unit	2010	2020	2030	2040	2060	2080	
Nominal permeate performance *	l/h	600	1200	1700	2300	2800	3300	
Salt reduction	%	>98						
Water utilisation WCF (min/max) **	%	75						
Inlet pressure (min/max)	bar	3/7						
Electrical connection	V / Hz	3 x 400 / 50						
Fuse	A	16						
Pump motor size	kW	2.2			4			
Protection class	IP	54						
Raw water temperature	°C	5 – 25						
Ambient temperature	°C	5 – 35						
Inlet	"	¾						
Outlet	"	¾				1		
Drain	mm	14						
Width	mm	720						
Depth	mm	760						
Height	mm	1690						
Weight (dry), approx.	kg	129	163	176	186	214	229	
Product number		421072015	421072025	421072035	421072045	421072065	421072085	

\* For water quality of: 10 °C, 3 bar, TDS ≤ 500 mg/l ± 15%, SDI ≤ 3.0, oxidants ≤ 0.05 mg/l.

\*\* Based on a water quality of TDS ≤ 500 mg/l, with softening as a pre-treatment.



BWT UK Limited, BWT House, The Gateway Centre,  
Coronation Road, High Wycombe,  
Buckinghamshire. HP12 3SU  
T: 01494 838 100  
F: 01494 838 101  
E: commercial@bwt-uk.co.uk

For You and Planet Blue.   
BEST WATER TECHNOLOGY